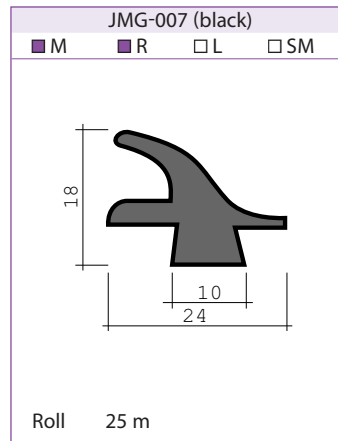
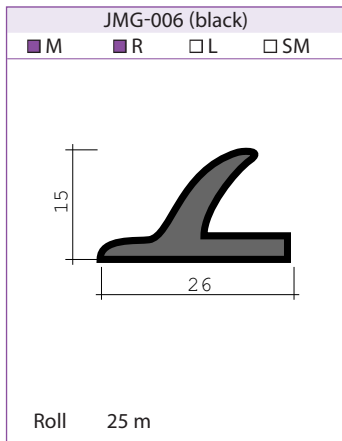
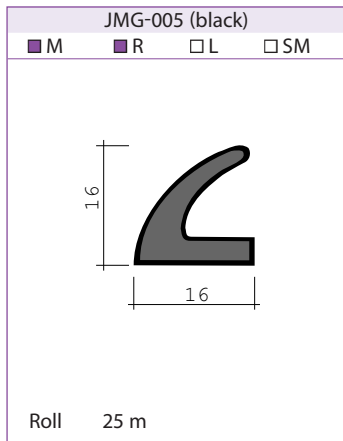
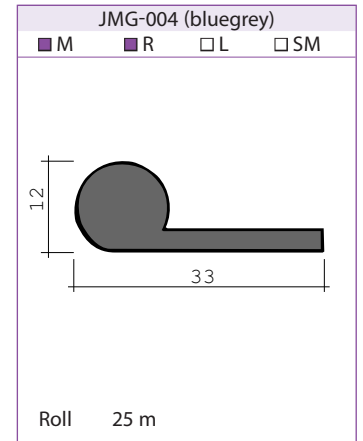
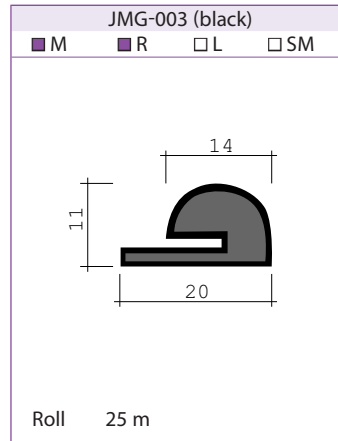
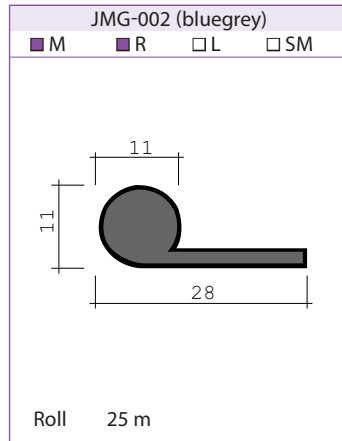
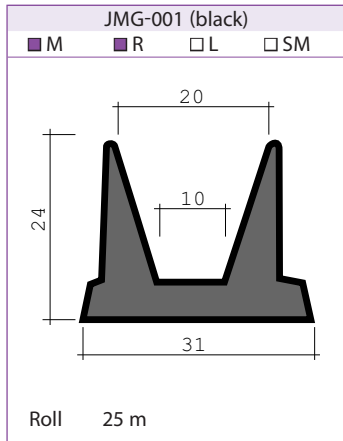


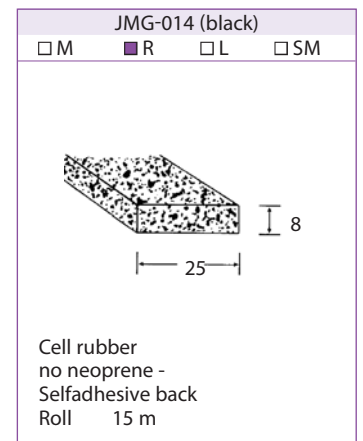
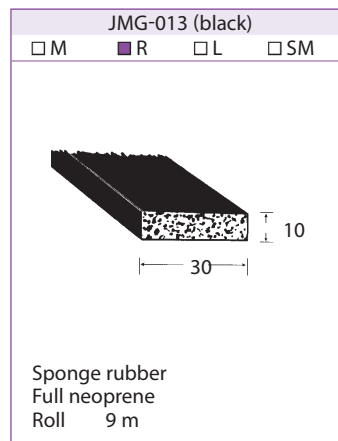
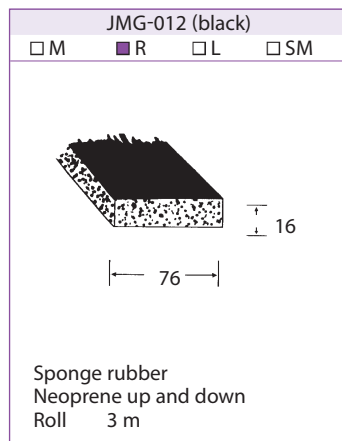
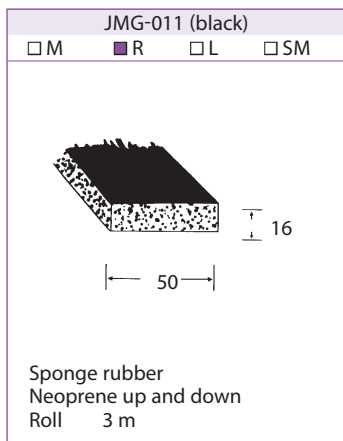
GASKETS

LINUM® - GASKETS FOR COLD ROOM DOORS



LINUM® - GASKETS FOR REFRIGERATORS

- Sponge rubber = closed cells - Cell rubber = open cells
- Sponge rubber: always with neoprene coating
- Available on rolls, not per linear meter



M = per linear meter
 L = on length

R = on roll
 SM = on request (frame to size)

GASKETS

RUBBER GASKETS FOR COLD- AND FREEZING ROOMS

Tot -50°C

67 (black)
 M R L SM

Roll 25 m

252 (black)
 M R L SM

Type Length Profile for type 67
 5 m

250 (black)
 M R L SM

Roll 20 m

3362 (black)
 M R L SM

Type Length Profile for type 250
 3,4 m

2311 (black)
 M R L SM

Roll 24 m

8511 (black)
 M R L SM

Roll 12 m

3312 (black)
 M R L SM

Type Length Profile for 2311/8511
 2,5 m

2313 (black)
 M R L SM

Type Corner for 2311/8511

3350 (black)
 M R L SM

Length 3,4 m

3362 (black)
 M R L SM

Type Length Profile for type 3350
 3,4 m

3461 (black)
 M R L SM

Roll 25 m

3462 (black)
 M R L SM

Type Corner for 3461

502 (black)
 M R L SM

Length 4 m

4451 (black)
 M R L SM

Roll 10 m

3352 (black)
 M R L SM

Type Length Profile for 4451/3461
 2 m

4453 (black)
 M R L SM

Type Corner for 4451

GASKETS

RUBBER GASKETS FOR COLD- AND FREEZING ROOMS

JCR-001 (grey)

M R L SM

Roll 25 m

JCR-002 (grey)

M R L SM

Roll 25 m

JCR-003 (grey)

M R L SM

Roll 25 m

JCR-004 (bluegrey)

M R L SM

Roll 25 m

JCR-005 (bluegrey)

M R L SM

Roll 25 m

JCR-006 (black)

M R L SM

Roll 25 m

JCR-007 (black plastic)

M R L SM

Length 2,5 m

JCR-008 (black)

M R L SM

Roll 25 m

JCR-009 (black)

M R L SM

Roll 25 m

JCR-010 (black)

M R L SM

Roll 25 m

JCR-011 (black)

M R L SM

Roll 40 m

JCR-012 (black)

M R L SM

Length 3,94 m

JCR-013 (black)

M R L SM

Length 2,01 m

JCR-014 (black)

M R L SM

Roll 25 m

JCR-015 (black)

M R L SM

Roll 25 m

F16 (white)

M R L SM

Roll 25 m

F27 (white)

M R L SM

Roll 25 m

GASKETS

RUBBER GASKETS FOR COLD- AND FREEZING ROOMS

JCR-016 (black)
 M R L SM

Roll 25 m

JCR-017 (grey)
 M R L SM

For doors
 Profile 3x28 mm
 Roll 25 m

JCR-018 (black)
 M R L SM

For doors
 Profile 3x28 mm
 Roll 25 m

JCR-025 (grey)
 M R L SM

Roll 32 m

JCR-040 (black)
 M R L SM

Roll 25 m

JCR-019 (black)
 M R L SM

Roll 37 m

JCR-020 (black)
 M R L SM

Roll 32 m

JCR-026 (grey)
 M R L SM

Roll 32 m

JCR-041

Type Glued corner for type JCR-040

JCR-021 (black)
 M R L SM

Roll 25 m

JCR-022 (black)
 M R L SM

Roll 26 m

JCR-023 (black)
 M R L SM

Roll 36 m

JCR-024 (white)
 M R L SM

Roll 48 m

M = per linear meter
 R = on roll
 L = on length
 SM = on request (frame to size)

GASKETS

SILICONE GASKETS FOR OVEN DOORS

No framework possible

JSO-001 (dark grey)
 M R L SM

Roll 30 m
 Max. T° +250°C

JSO-002 (beige)
 M R L SM

Roll 25 m
 Max. T° +300°C

JSO-003 (dark grey)
 M R L SM

Roll 25 m
 Max. T° +200°C

JSO-004 (dark grey)
 M R L SM

Roll 25 m
 Max. T° +250°C

JSO-005 (dark grey)
 M R L SM

Roll 25 m
 Max. T° +250°C

JSO-006 (dark grey)
 M R L SM

Roll 25 m
 Max. T° +250°C

JSO-007 (dark grey)
 M R L SM

Roll 25 m
 Max. T° +250°C

JSO-008 (dark grey)
 M R L SM

Roll 25 m
 Max. T° +250°C

JSO-009 (lichtgrey)
 M R L SM

Roll 25 m
 Max. T° +250°C

JSO-010 (black)
 M R L SM

Roll 25 m
 Max. T° +200°C

JSO-011 (lichtgrey)
 M R L SM

Roll 25 m
 Max. T° +250°C

JSO-012 (dark grey)
 M R L SM

Roll 25 m
 Max. T° +200°C

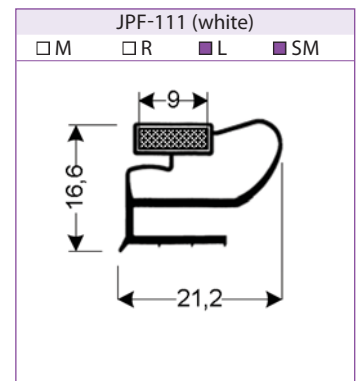
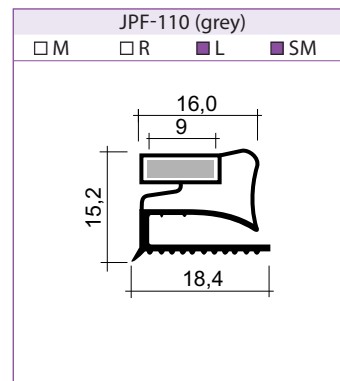
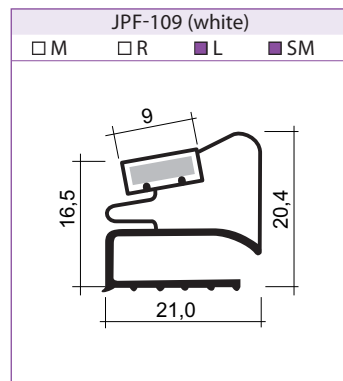
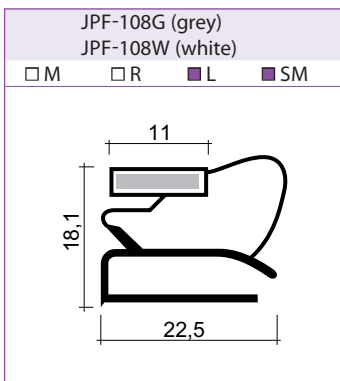
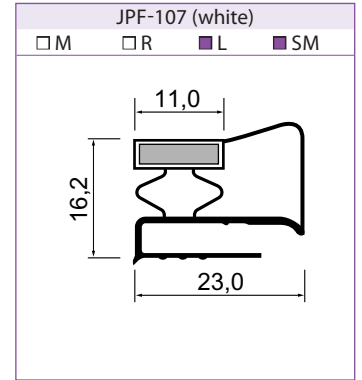
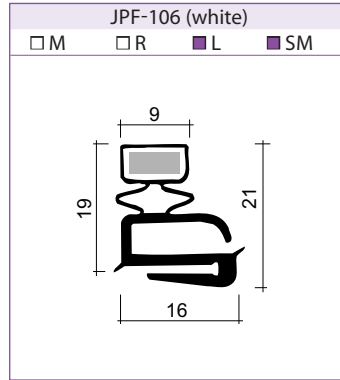
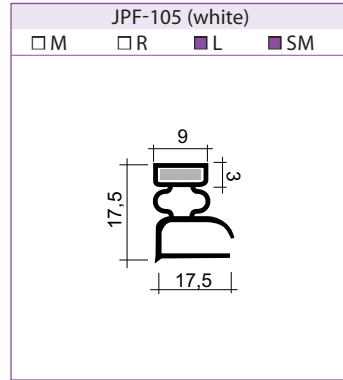
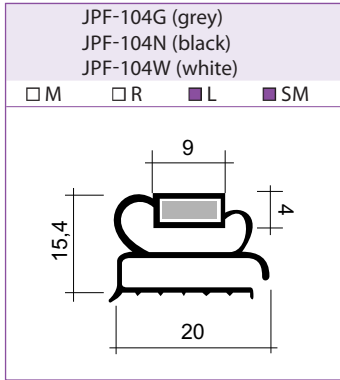
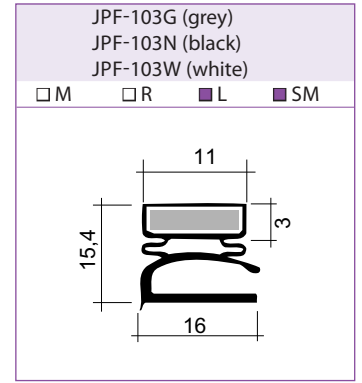
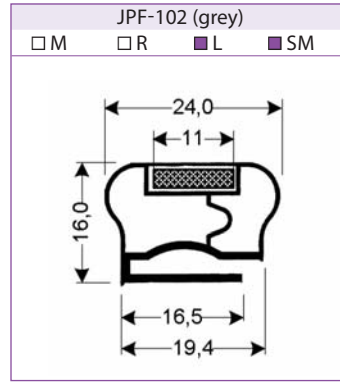
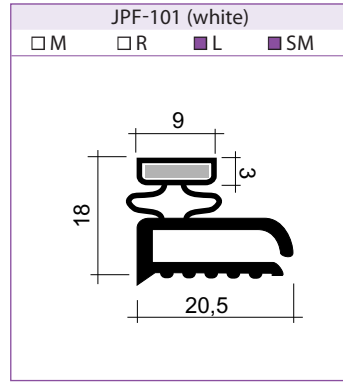
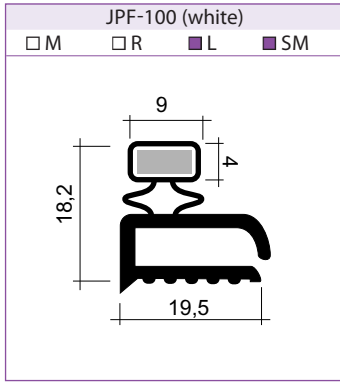
JSO-013 (black)
 M R L SM

Spongesilicone
 Roll 25 m
 Max. T° +150°C

M = per linear meter
 R = on roll
 L = on length
 SM = on request (frame to size)

GASKETS

LINUM® - FLAT PROFILES WITH MAGNET
 Lengths of 2,55 m - Framework on demand

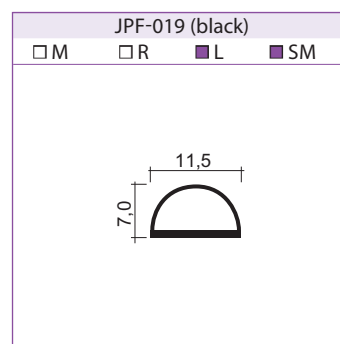
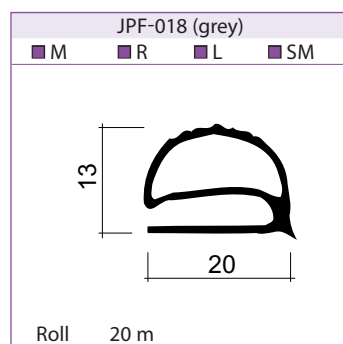
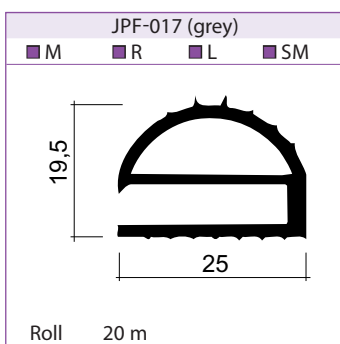
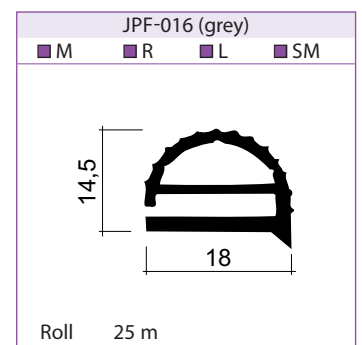
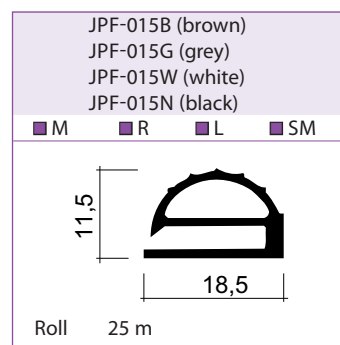
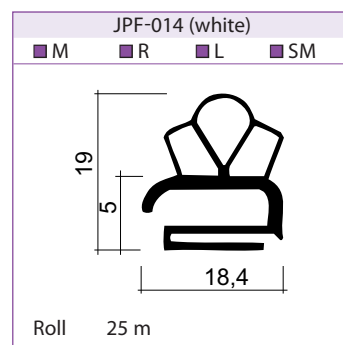
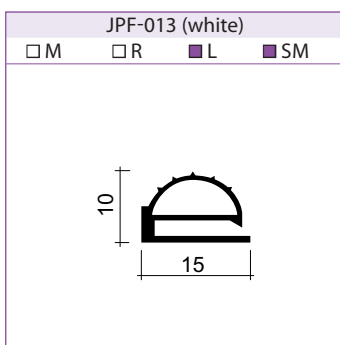
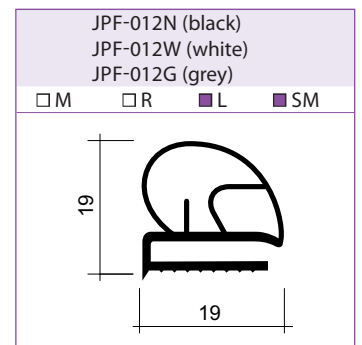
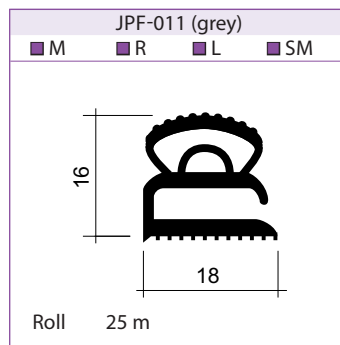
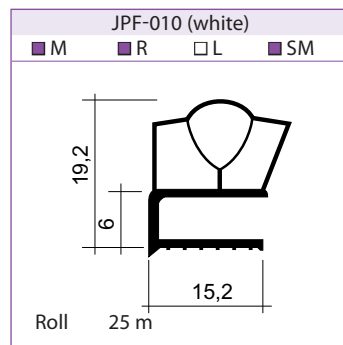
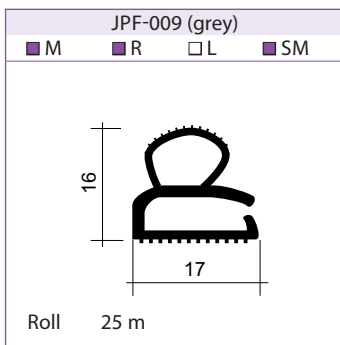
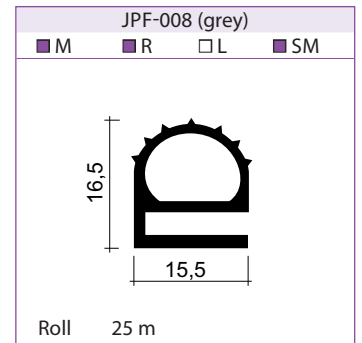
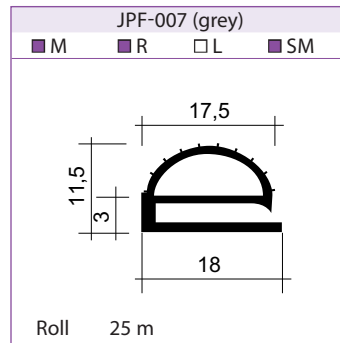
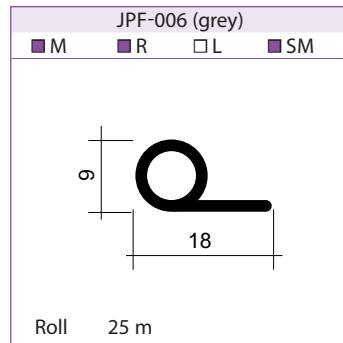
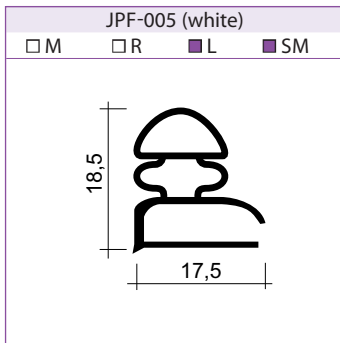
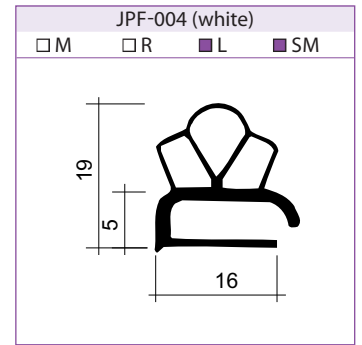
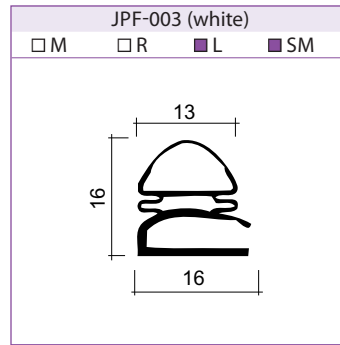
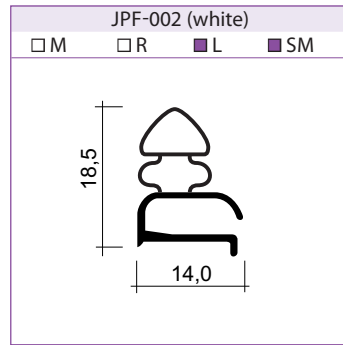
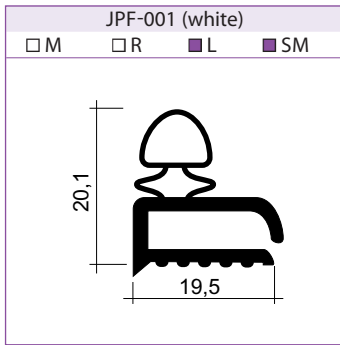


M = per linear meter
 R = on roll
 L = on length
 SM = on request (frame to size)

GASKETS

FLAT PROFILE WITHOUT MAGNET

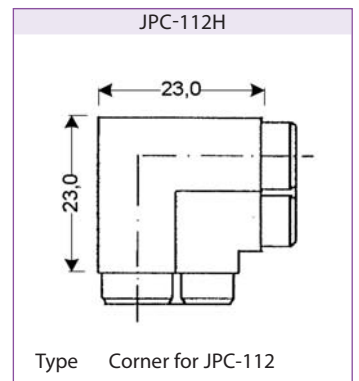
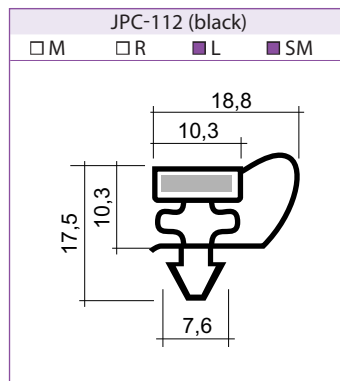
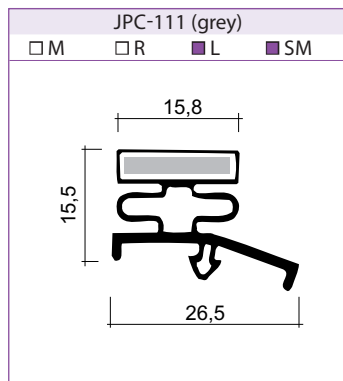
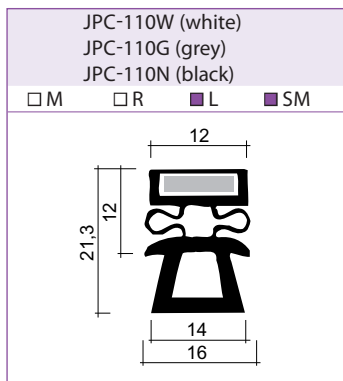
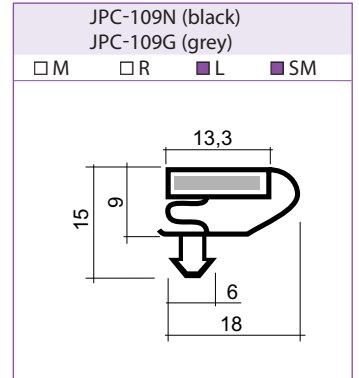
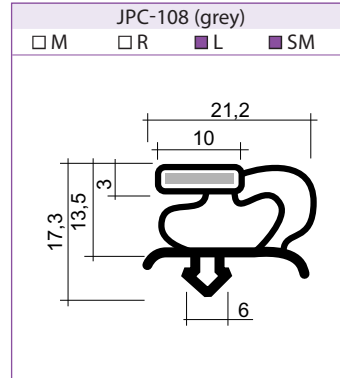
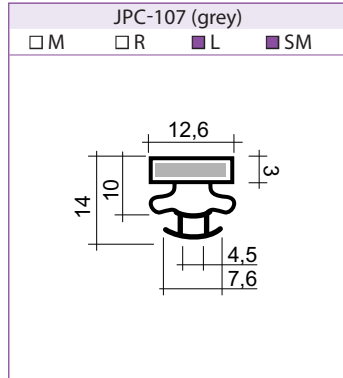
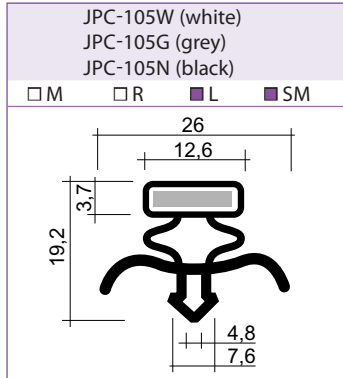
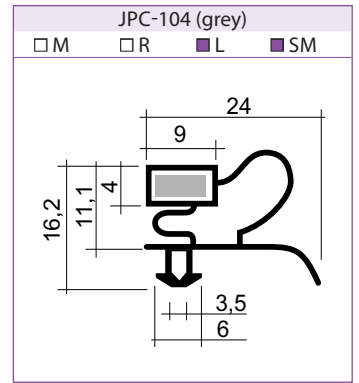
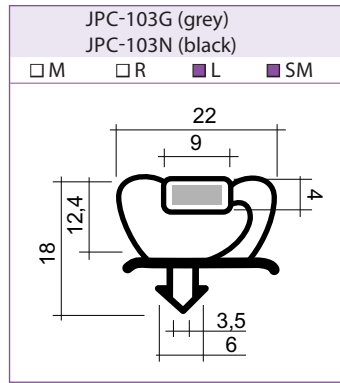
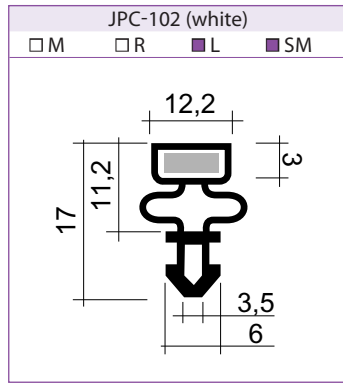
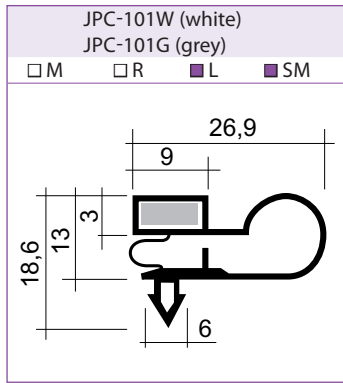
Lengths of 2,55 m - Framework on demand



GASKETS

MAGNETIC PVC SNAP-ON PROFILES

Lengths of 2,55 m - Framework on demand



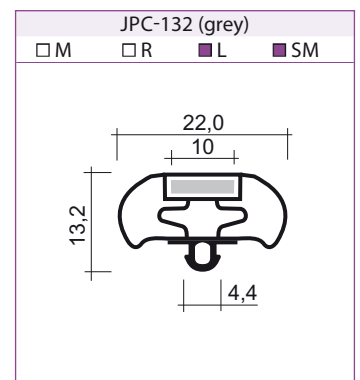
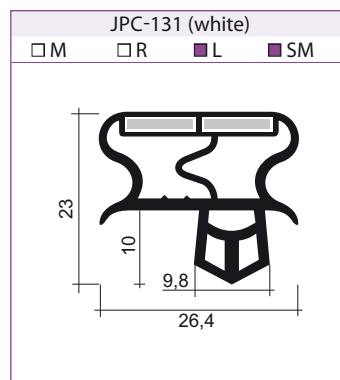
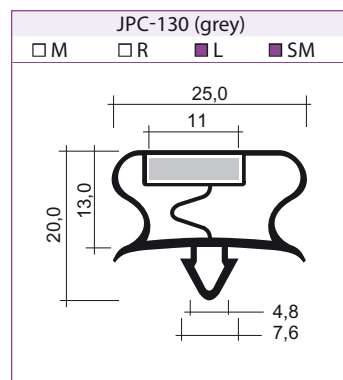
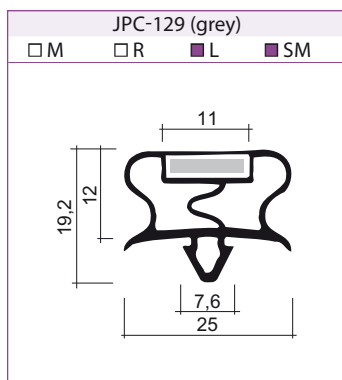
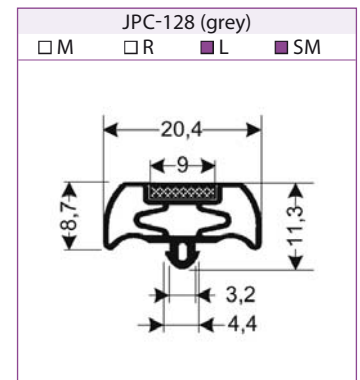
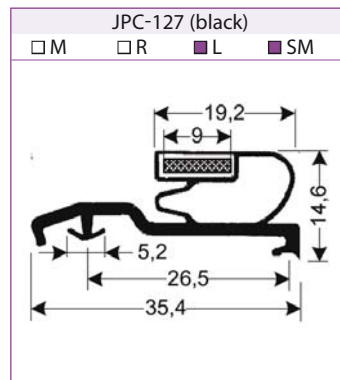
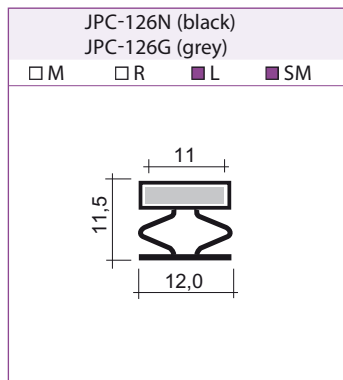
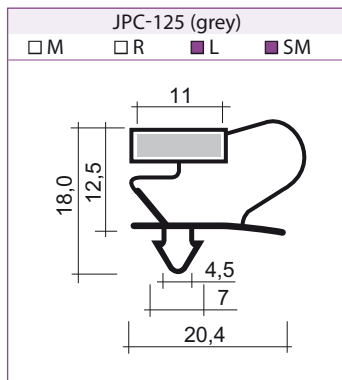
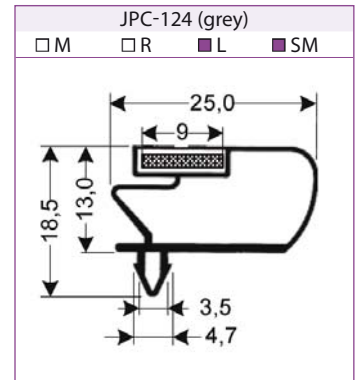
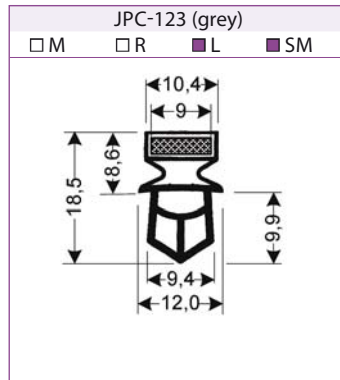
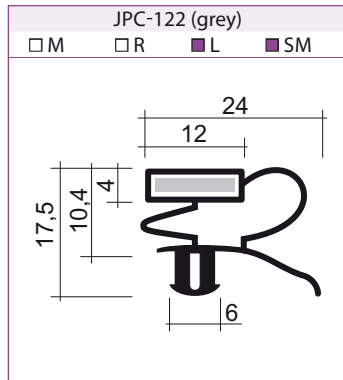
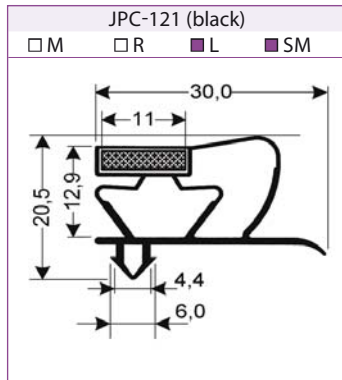
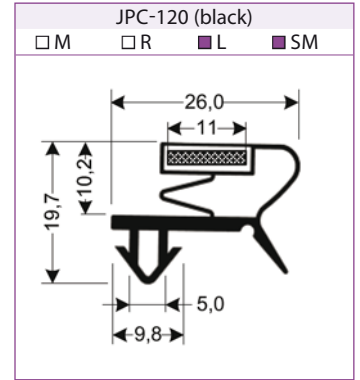
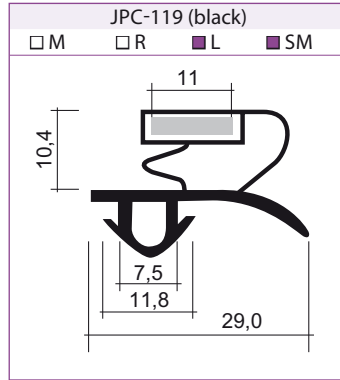
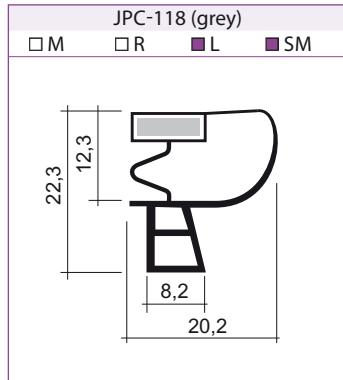
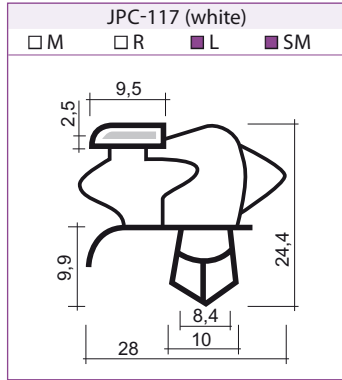
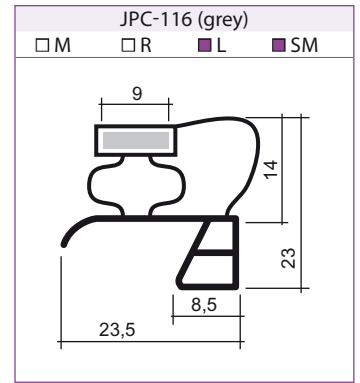
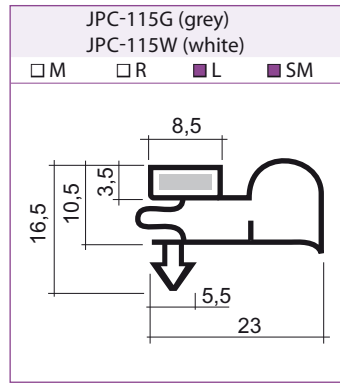
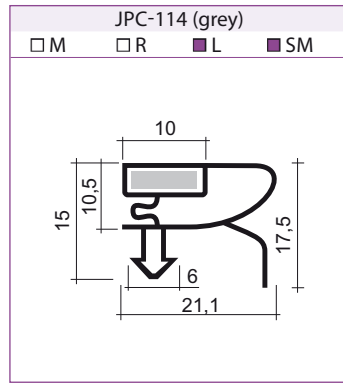
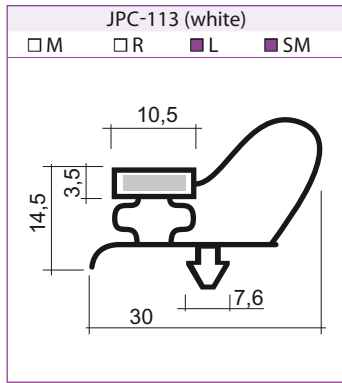
M = per linear meter
 L = on length

R = on roll
 SM = on request (frame to size)

DICHTINGEN

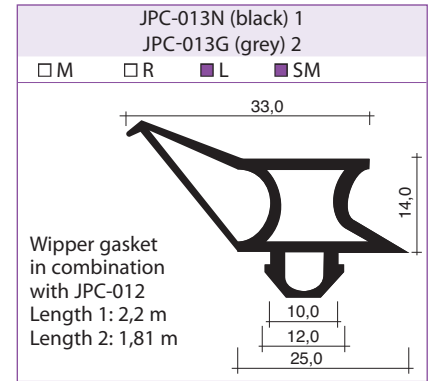
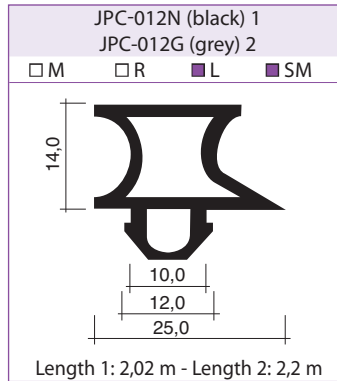
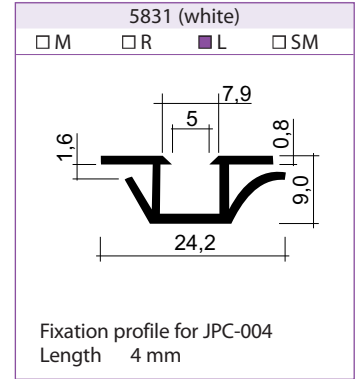
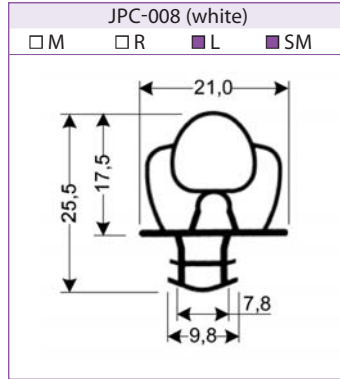
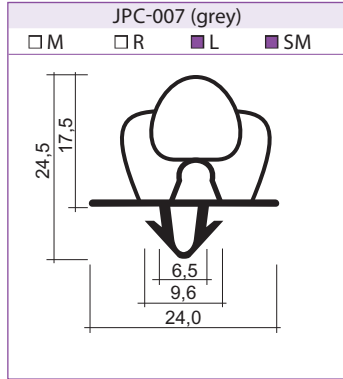
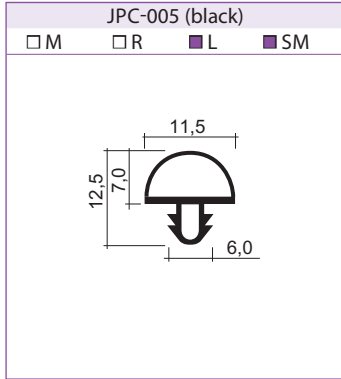
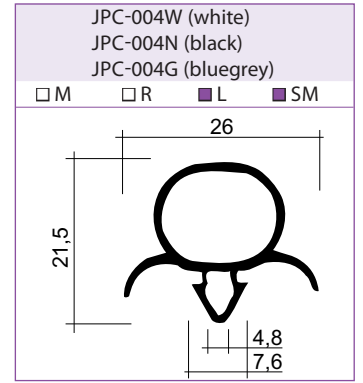
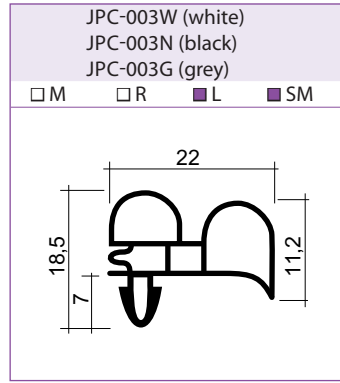
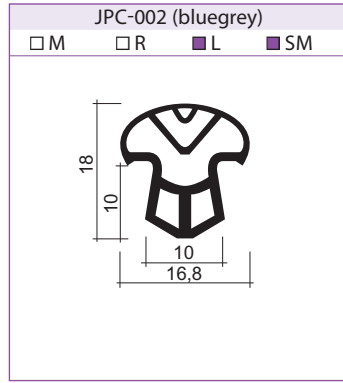
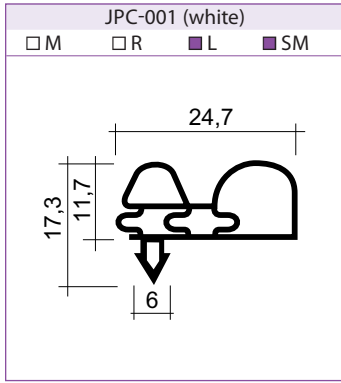
LINUM® - PVC INDRUKPROFIEL MET MAGNEETSTRIP

Lengths van 2,55 m - Maatwerk op vraag (zie formulier)

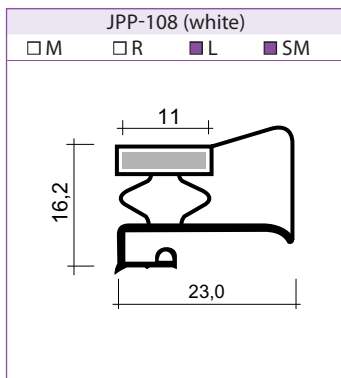
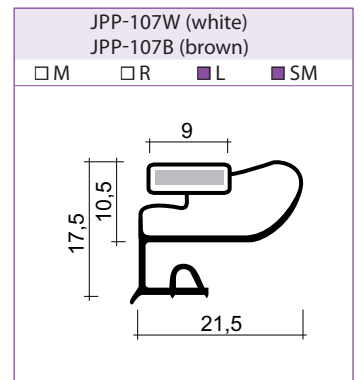
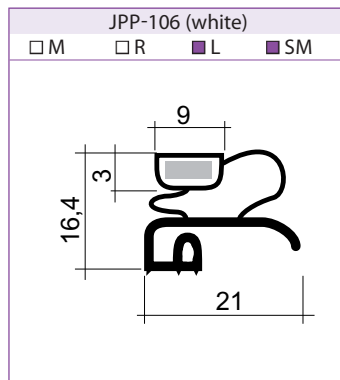
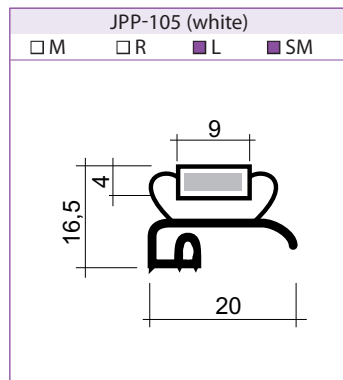
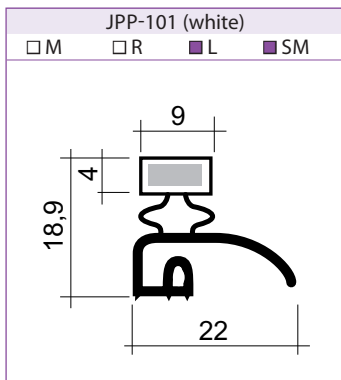


GASKETS

NON-MAGNETIC PVC SNAP-ON PROFILE Lengths of 2,55 m - Framework on demand



MAGNETIC PVC CRALE PROFILES Lengths of 2,55 m - Framework on demand



LINUM® - NON-MAGNETIC PVC CRALE PROFILES Lengths of 2,55 m - Framework on demand

